

Series P700 SOLENOID VALVE

Model#
P72003418E1AH

2-Way, Pilot Diaphragm Solenoid Valve
Normally Closed, NSF 61 Certified



Certified to
NSF/ANSI/CAN 61-G

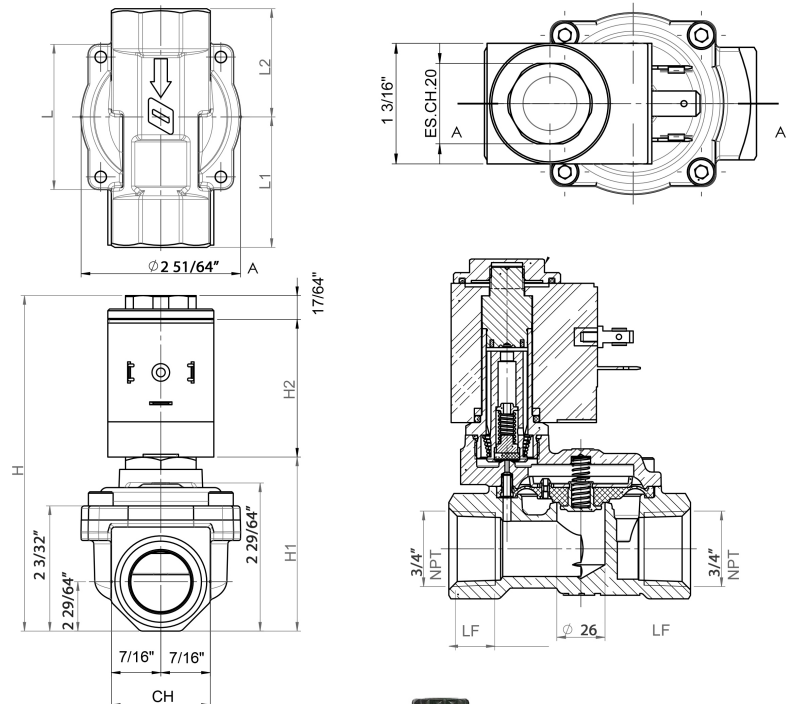


Technical Specifications

Pipe Size (Inch)	Orifice Size (Inch)	Flow Factor (CV)
3/4"	45/64"	6.7
Voltage	Power	Min. Pressure (PSI)
120VAC	17VA	3
Temperature Range	Medium Examples	Sealing Material
-22° + 284° F	Light Oil, Air, Water	EPDM

Valve Dimensions

(F.F):	3/4"
(DN):	45/64"
(LF):	33/64"
(L1):	1 61/64"
(L2):	1 23/32"
(ØA):	2 51/64"
(L):	2 21/32"
(H1):	2 23/32"
(H2):	1 17/32"
(H):	4 17/32"
(CH):	1 21/32"



Electrical Connection

Rating:	NEMA 4/ IP 65
Strain Relief Connector:	Model 020

